



Product Features & advantage

- Constructed of PVC for HEAD, PVC and PC for BOWL
- Good chemical resistance in strong chemical process
- Good heat resistance
- Minimum extractables

Specification

Materials

- Head : PVC
- Bowl : PVC / PC
- Union : PVC

IN, OUT Connection

- 40A

Vent, Drain

- 1/4" NPT

Cartridge Connection

- 226 O-ring / 222 226 O-ring

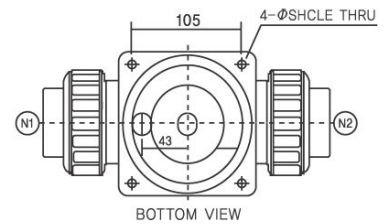
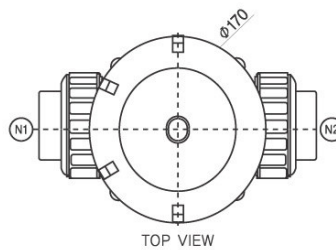
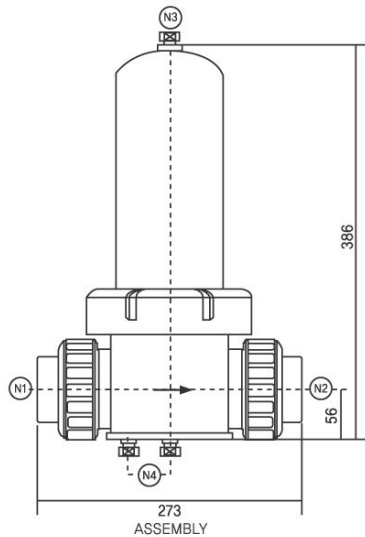
Operation Condition

- Differential pressure : max. 5kgf(at 25°C)
- Temperature : max. 60°C

Dimensions

- Diameter : 273mm
- Length : 388mm

Dimensions



Ordering Information

1	2	3 4	5	6	7
Type	Length	Material	Connection	O-ring	Cartridge Connection
HS : Housing	1 : 10"	VV : HEAD PVC/BOWL PVC VC : HEAD PVD/BOWL PC PP : HEAD PP/BOWL PP PC : HEAD PP/BOWL PC	40 : 40A in/out	N : NBR E : EPDM V : Viton T : TEV	D : 2-226 O-ring/Flatend M : 2-222 O-ring/Flat end